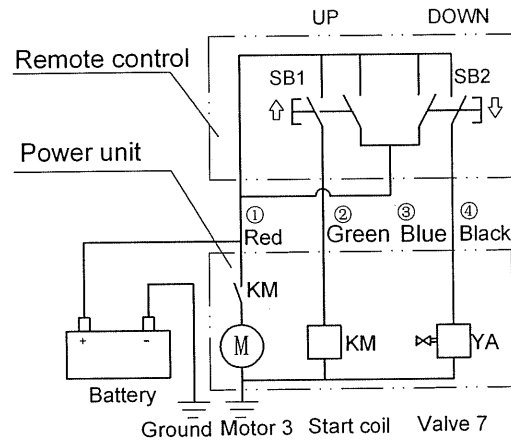


HYDRAULIC SCHEMATIC



ELECTRICAL SCHEMATIC

10	Central Manifold	LBZ-D2KK-1	
9	Remote Control	RCA-2B4L6M-H1	6 Meters long
8	Solenoid Valve	LSV-08-2NCP-1B	2-Way,2-Position,12VDC
7	Flow Control Valve	BL-I2.5	
6	Check valve	DF08-01-00	
5	System Relief valve	RV-3/4-A	20Mpa
4	Gear pump	CBK-F2.1F	2.1cc/r
3	Motor	DM11-1WWU-3BC1R-B	DC12V,1.5KW,S3,duty
2	Suction Filter	YBZ-4-100	
1	Tank	KR45W	5L, Horizontal
No.	Description	P/N	Technical data

Designed by

Checked by

Reviewed by

Approved by

Name Hydraulic Power Unit

P/N YBZ5-F2.1B1W2/WUAAT1

Rev. 0

**Deli** Wuxi Deli Hydraulics Co., Ltd.  
www.wx-dl.com tech@wx-dl.com

Zeto

JL-12

Zorka  
Oct. 21st, 2015

Dejun Zhou  
Oct. 21st, 2015